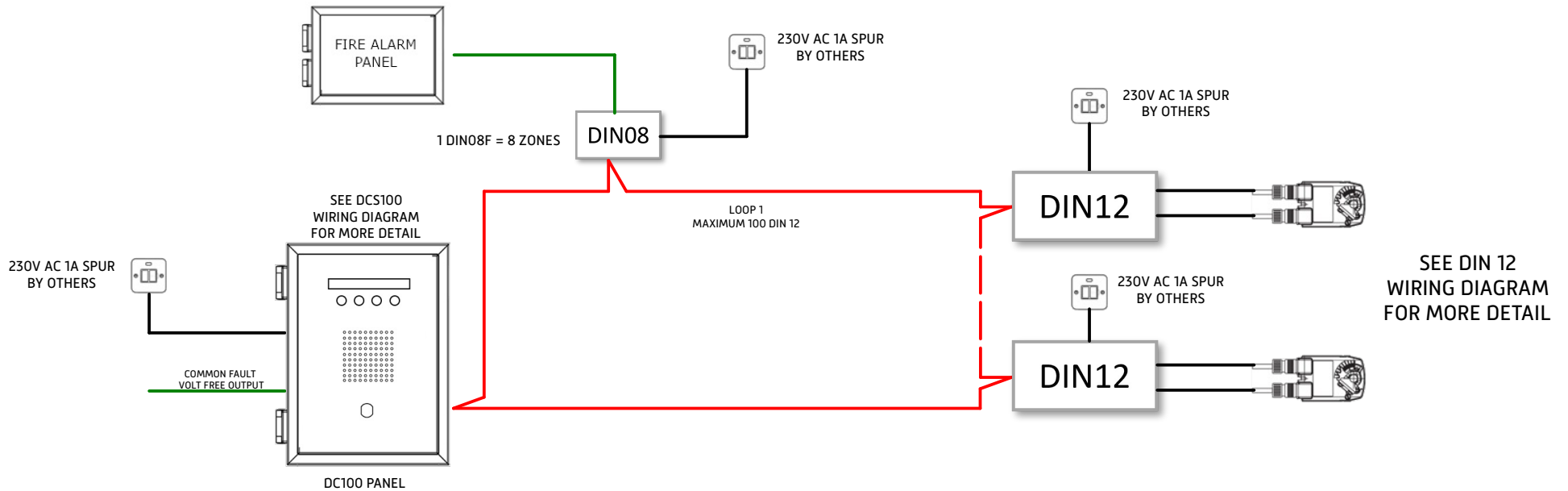


# DCS100 230V TYPICAL WIRING DIAGRAM



SEE DIN 12  
WIRING DIAGRAM  
FOR MORE DETAIL



Approved comms loop cables include FP200 and BELDEN 9760. To be confirmed with the design team.

MAX LOOP LENGTH 3km

Dotted line symbolises up to 3km of cable