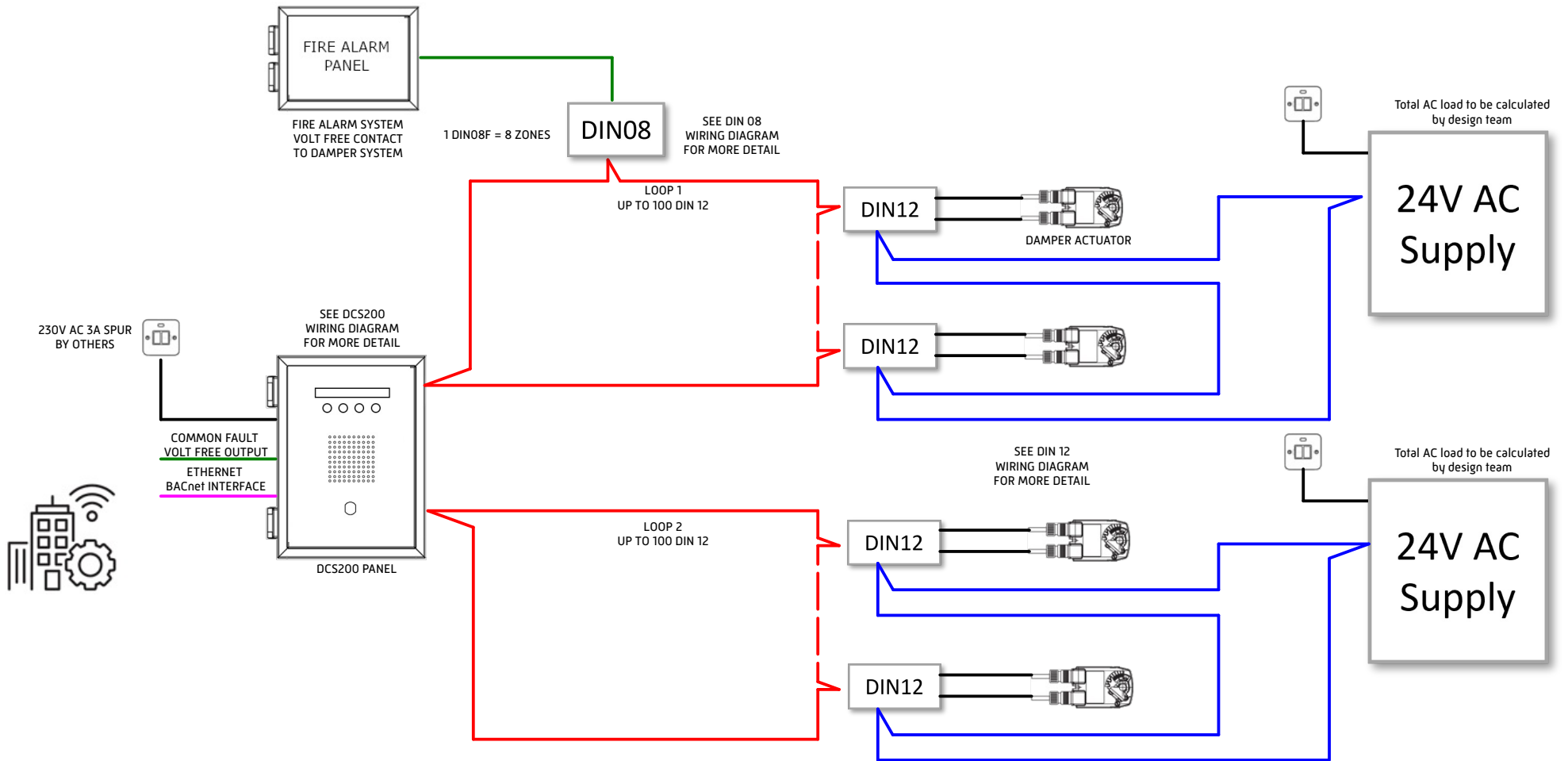


# DCS200 24V TYPICAL SYSTEM WIRING DIAGRAM



Approved comms loop cables include FP200 and BELDEN 9760. To be confirmed with the design team.

MAX LOOP LENGTH 3km

Dotted line symbolises up to 3km of cable